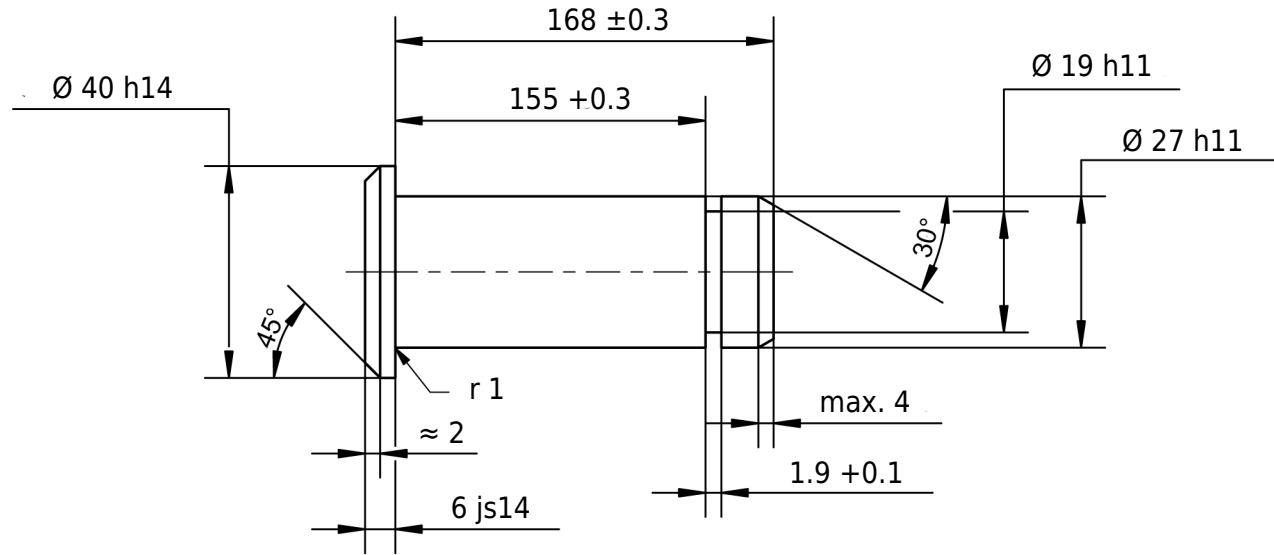


This drawing is the exclusive property of mbo Osswald GmbH & Co KG. Communication, reproduction and disclosure to third-parties (even if only partial) are prohibited. Any contravention will result in liability for compensation.



40 h14	40.000 39.380
6 js14	6.150 5.850
27 h11	27.000 26.870
19 h11	19.000 18.870

Permitted deviation for dimensions without tolerance specification ISO 2768-m for linear and angular dimensions ISO 2768-0.6 for symmetry				Surface bright, lightly oiled		Scale		Weight	
						Material		1.0718 (11SMnPb30+C)	
				Date		Name		Identifier	
				Drawn		mboShop		27 x 168 x 155	
				Checked					
				Standard		ISO 2341			
								Article no	
								BEG271664631755	
								A4	
A		Drawing created		eShop				Replacement for:	
Status		Changes		Date		Name		Replaced by:	

